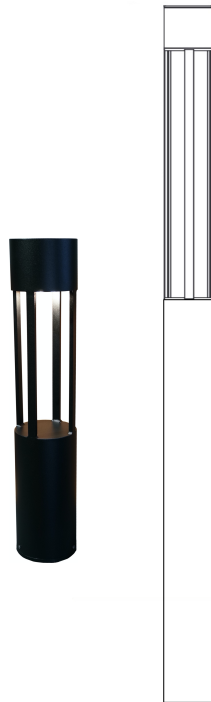




ZUMALIGHTING
QUALITY OUTDOOR SOLUTIONS



MODEL

Iram

TYPE

LED

SERIES

Columns

ZUMA LIGHTING LLC

325 N LARCHMONT BLVD STE 406, LOS ANGELES, CA 90004

INFO@ZUMALIGHTING.COM • (310) 975-3126 • ZUMALIGHTING.COM

ORDERING INFORMATION

Model Iram
Type LED
Series Columns



FIXTURE	SIZE	SOURCE	VOLTS	LAMP / TEMP	COLOR	LENS	OPTIONS
IRA-C (LED)	10-6 = 6" dia. x 144" 10-8 = 8" dia. x 144"H CH = Custom height, consult factory	10W 20W 30W 40W 50W 60W 70W 80W 90W	U = 120v-277v 8 = 480v	3K = 3000K 4K = 4000K 5K = 5000K	DB = Dark Bronze BK = Black WH = White SL = Silver CC = Custom	CA = Clear Acrylic FA = Frosted Acrylic	SP = Surge Protection

SPECIFICATIONS

Housing

The fixture shaft is fabricated from heavy duty extruded aluminum – 6” or 8” OD round. The overall height of the fixture is 144”

The Top is fabricated from heavy duty spun aluminum.

The vertical bars are fabricated from heavy wall aluminum rectangular tubing.

LED

EncapLED, an IP66-rated ETL and DLC listed LED module system, combines optics and heat sink into one configurable unit which give precise light distribution. Available in 180° or 360° distribution pattern. It allows us to do 10w. increment adjustment on light output. The module achieves 110-120 lm/w efficacy with LUXEON LUMILEDS TX CHIPS. Beside maximizing heat dissipation surface, we also utilize convection-based heat management which creates additional air flow around each chip. Unlike a big metal heat sink where the temperature for the chips in the middle is higher than the rest, the heat of each EncapLED chip gets dissipated evenly. A better heat dissipation design keeps the junction temperature low and ultimately prolongs the life of the LED chips. Our modules are available in any of our fixture designs, as well as in a simple retro-fit kit form for existing fixtures.

Lens

Lens is fabricated from acrylic. Specify clear or frosted lens.

Mounting Options

Cast aluminum base plate secures to the housing. Mounting kit with anchor bolts, included.

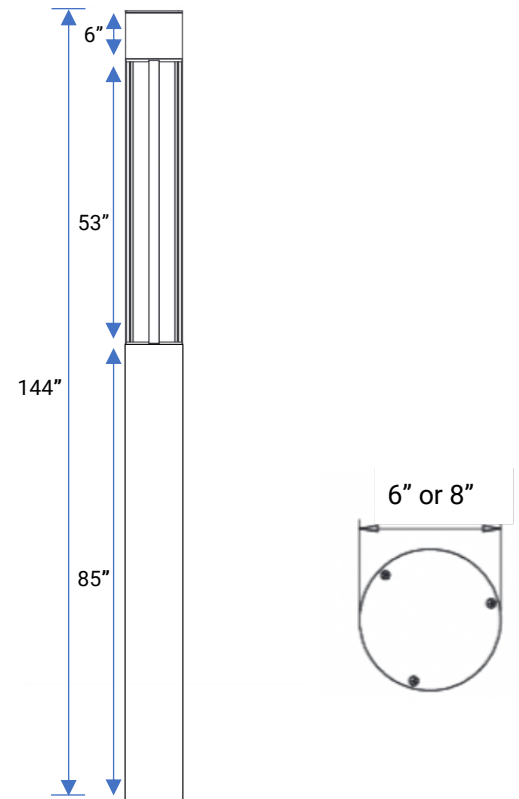
Finish

Thermoset polyester oven-baked powder coat, in standard colors. Custom colors are available to your specification.

Certificates & Warranty

- DLC Listed
- ETL Verified
- Suitable for Wet Locations
- 5-Year Warranty

Dimensions



**Custom height available*