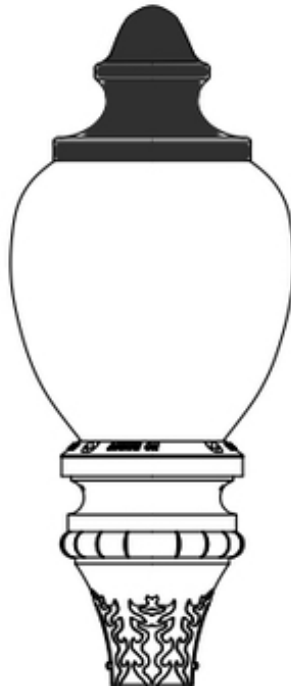




ZUMALIGHTING
QUALITY OUTDOOR SOLUTIONS



MODEL
LINCOLN

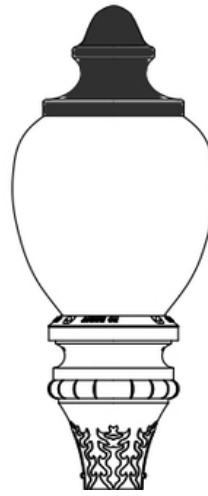
TYPE
LED POST TOP

SERIES
HISTORICAL

ZUMA LIGHTING LLC
325 N LARCHMONT BLVD STE 406, LOS ANGELES, CA 90004
INFO@ZUMALIGHTING.COM • [\(310\) 975-3126](tel:(310)975-3126) • ZUMALIGHTING.COM

ORDERING INFORMATION

Model LINCOLN
Type LED POST TOP
Series HISTORICAL



Shown with Dublin Pole & Base

FIXTURE	ACORN	WATTAGE	VOLTS	LAMP / TEMP	OPTICS	MOUNT	COLOR	OPTIONS
LCN (LED)	118 PCB = Polycarbonate 118 ACR = Acrylic 118 PCB-ST = Polycarbonate w/ spun top 118 ACR-ST = Acrylic w/ spun top	20W 30W 40W 60W 80W 90W 120W	U = 120v-277v 8 = 480v	3K = 3000K 4K = 4000K 5K = 5000K	T3 = 180° pattern T5 = 360° pattern	A = ●● B = ●●● C = ●●● D = ●●●● E = ●●●● F = ●●●● G = ●● (wall mount) I = post top	DB = Dark Bronze BK = Black WH = White SL = Silver CC = Custom	PC = Photocell D = Dimming S = Surge Protection LS = Light shield FN = Finial (see accessories)

SPECIFICATIONS

Fixture

Textured acorn atop style cast aluminum capital. The acorn is fitted with an aluminum cap that can be powder coated in any standard finish. The acorn is fabricated from either acrylic or polycarbonate and is available clear or frosted. Available with optional finial and filigree. Shown above with 14' x 4" OD round non-fluted aluminum pole with a decorative base, Dublin pole series.

LED

UNIVERSAL LED, UL listed LED modules and drivers, combined with a vertical heat sink and into one configurable unit which gives precise light distribution. In either a type III or V pattern. It allows us to offer lumen adjustment on light output. These are 10CHIP, 500 LUMEN, 525 mA,,6v. 3.2watt per module, achieving 159 lumens per watt efficacy, 82CRI at 4000K. Beside maximizing heat dissipation surface, we also utilize convection- based heat management which creates additional air flow around the strips. Unlike a big metal heat sink where the temperature for the chips in the middle is higher than the rest, the heat of each of our modules gets dissipated evenly. This innovative heat dissipation design keeps the junction temperature low and ultimately prolongs the life of the LED strips. Our modules are covered by our standard 5-year warranty and are available in many of our fixture's designs. The drivers are dimmable 0-10v.

FINIAL OPTIONS



Finish

Thermoset polyester oven-baked powder coat, in any standard color. Custom colors are available to your specification.

Certificates & Warranty

- ETL Verified
- Suitable for Wet Locations
- 5-Year Warranty

Mounting

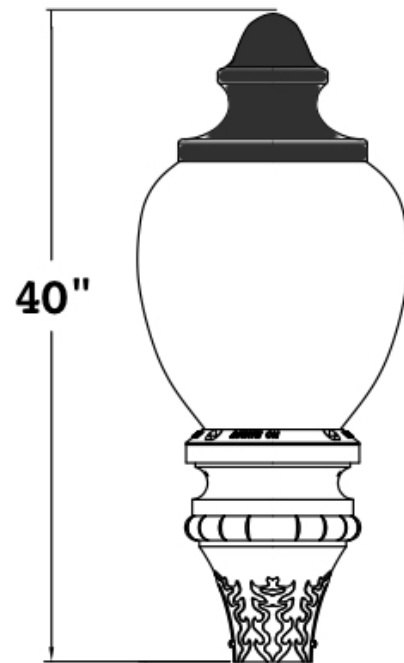
Fixture can be installed on post-top.

Tenon top mounting options:

- over 3" OD (standard)
- over 2-3/8" OD

Fixture can also be installed on mounting arms, sold separately. See architectural arm .pdf for style options.

Dimensions



**Measurements vary w/ accessory type*

POLE SPECIFICATIONS

Pole Construction

Durable corrosion resistant cast aluminum base with hand hole and cover. The pole is 4" or 5" dia. X 3/16" wall thickness. Extruded 6063-T6 aluminum alloy

Pole Height

Specify any height up to 20'.

Shaft

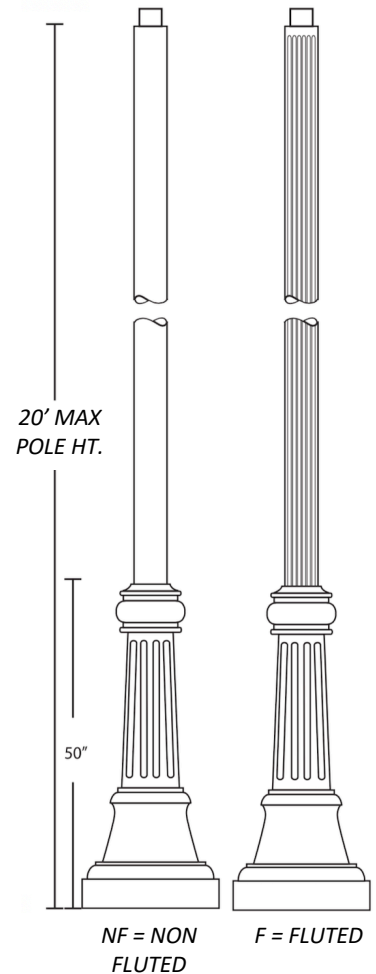
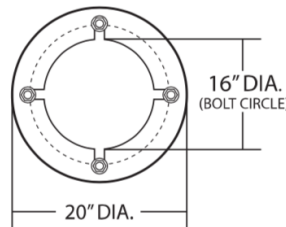
Specify 4" or 5", fluted or non-fluted.

Finish

Thermoset polyester oven-baked powder coat, in any standard color. Custom colors are available to your specification.

Anchor Bolts

(4) 3/4" x 16" (min.) x 3", fabricated from hot rolled steel, hot dip galvanized



Pole	Pole Height	Diameter	Shaft	Color	Options
DUB = Dublin	20 = 20' Max (specify any height up to 20')	4 = 4" dia. 5 = 5" dia.	F = Fluted NF = Non-Fluted	DB = Dark Bronze BK = Black WH = White SL = Silver CC = Custom	DR = Duplex Receptacle GFI = Ground Fault Interrupter