



ZUMALIGHTING
QUALITY OUTDOOR SOLUTIONS



MODEL
MILAN

TYPE
LED

SERIES
ARCHITECTURAL

ZUMA LIGHTING LLC
325 N LARCHMONT BLVD STE 406, LOS ANGELES, CA 90004
INFO@ZUMALIGHTING.COM • [\(310\) 975-3126](tel:(310)975-3126) • ZUMALIGHTING.COM

ORDERING INFORMATION

Model MILAN
Type LED
Series ARCHITECTURAL



FIXTURE	WATTAGE	VOLTS	COLOR TEMP	OPTICS	LENS	MOUNT	COLOR	OPTIONS
MLN	16W = 2500lm to 2700lm 23W = 3500lm to 3800lm 34W = 4750lm to 5250lm 50W = 6500lm to 7100lm 62W = 7650lm to 8300lm 100W = 13150lm to 14300lm	U = 120v-277v 8 = 480v	27K = 27000K 3K = 3000K 35K = 3500K 4K = 4000K 45K = 4500K 5K = 5000K 57K = 5700K	T2 = Type II T3 = Type III T4 = Type IV T5 = Type V	NL = No Lens FA = Frosted Acrylic OA = Opal White Acrylic	SF300 = Fits over 3"OD tenon WM = Wall Mount	BZ8 = Zuma Bronze BK = GT Black WH = Alpine White SL = Iridium Silver GRY = Granite Gray GRN = Moss Green CC = Custom Specify RAL	M = Motion Sensor PC = Photocell D = Dimming S = Surge Protection LS = 180° Cutoff Shield BAA = Buy American Act Compliant DSC = Dark Sky Compliant* <i>*Only available with select optics, contact factory for details</i>



SPECIFICATIONS

Housing

The fixture housing is constructed from a combination of fabricated, cast, and spun aluminum.

Electrical Components

High performance LEDs utilize state-of-the-art technologies for improved thermal performance. Available in Types II, III, IV, & V with wide choice of color temperatures ranging from CCT(2700K - 6500K). These LEDs are designed to fit LEDIL lenses with IP67 rating.

Lens

Optional lens is available is fabricated from acrylic and can be specified clear or frosted.

Finish

Thermoset polyester oven-baked powder coat, in any standard color. Custom colors are available to your specification. Marine grade finish available upon request.

Certificates & Warranty

- ETL Listed
- Suitable for Wet Locations
- 5-Year Warranty

Mounting

Fixture can be installed on post-top.

Tenon top mounting options:

- over 3" OD (standard)

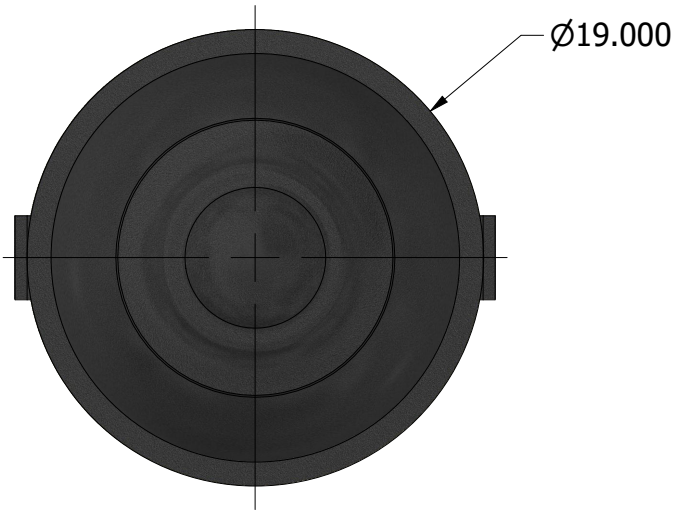
Fixture can also be installed on mounting arms, sold separately. See architectural arm .pdf for style options.

4

3

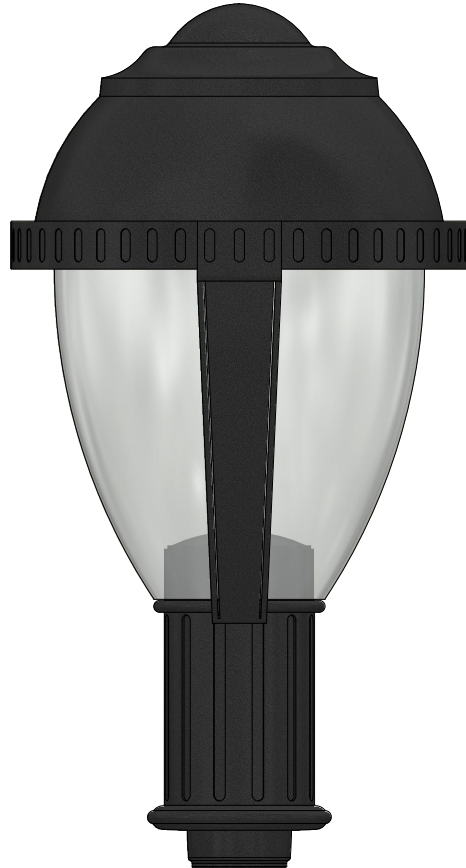
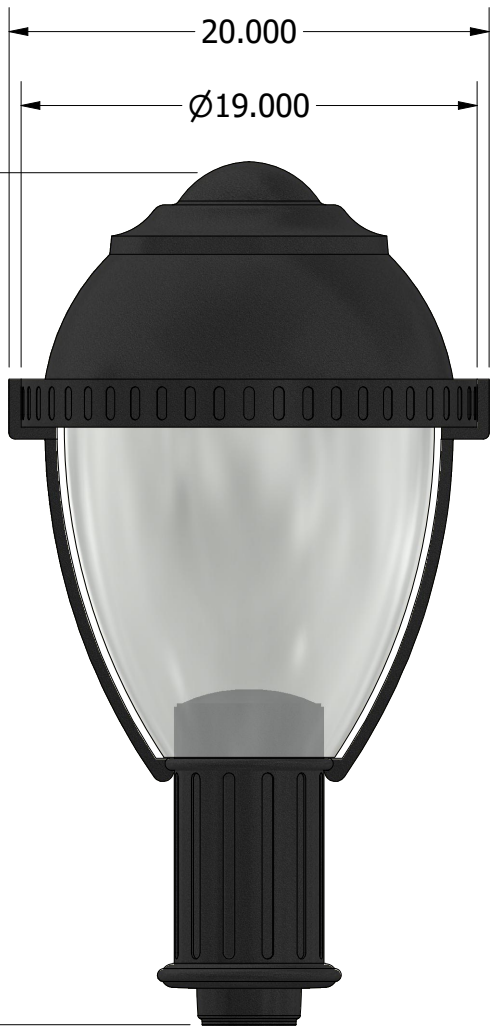
2

1



B

B




35.500

20.000

Ø19.000

A

A

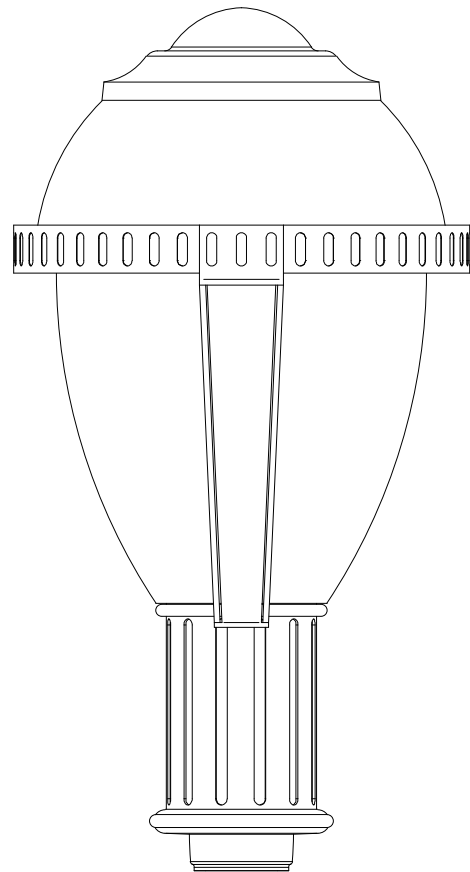
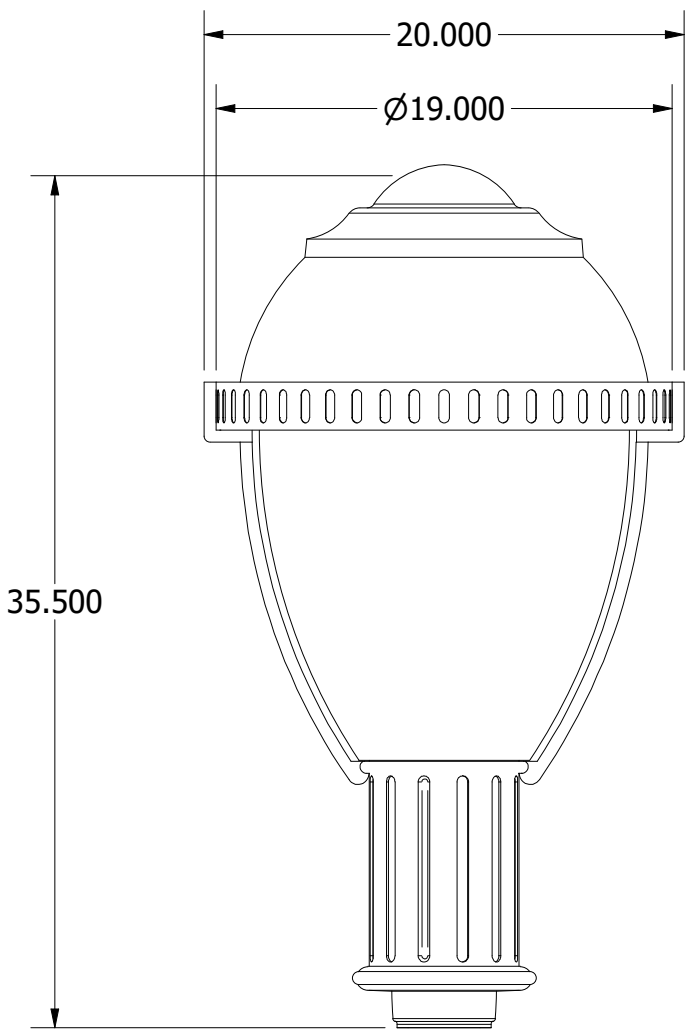
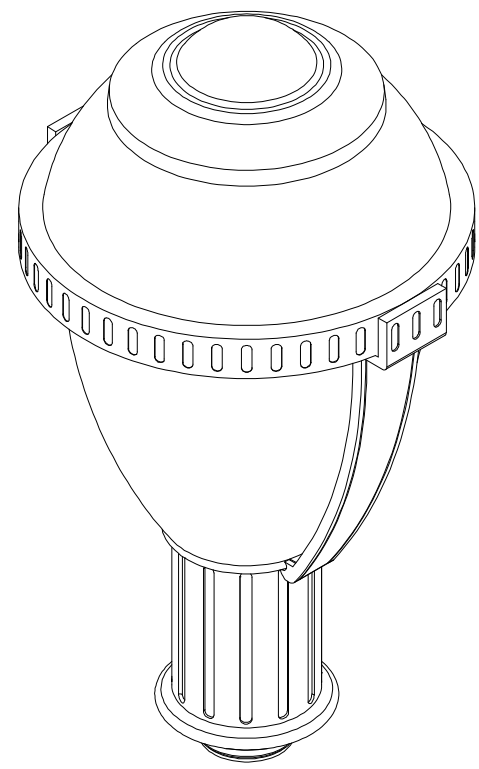
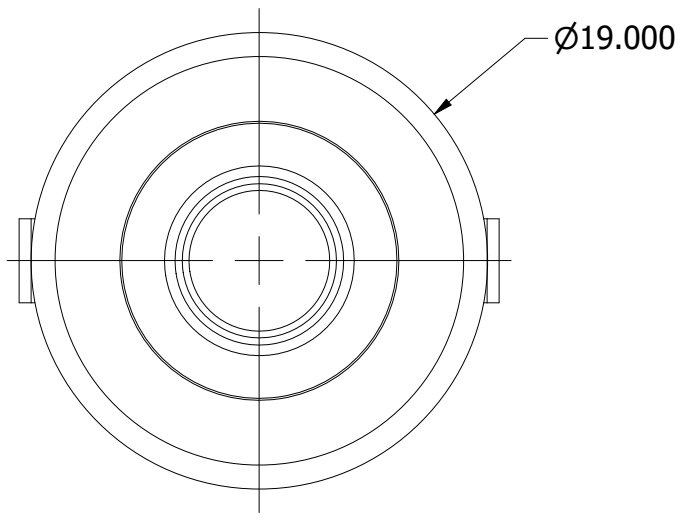
Approvals	DATE	These specifications and drawings are the property of Zuma Lighting and shall not be copied, reproduced as the basis for manufacture or sale of apparatus without permission	 ZUMALIGHTING QUALITY OUTDOOR SOLUTIONS
Prepared: EV	5/22/2023		
Checked by:			
MFG			
APPROVED		TITLE	
Unless specified dimensions are in inches and Tolerances are: .XX= .03 .XXX= .010 Angles= 1/2°		MILAN FIXTURE	
SIZE	DWG NO	REV	
B	Milan	A	
SCALE	MAT'L	SHEET 1 OF 1	


4

3

2

1



Approvals	DATE	These specifications and drawings are the property of Zuma Lighting and shall not be copied, reproduced as the basis for manufacture or sale of apparatus without permission	
Prepared: EV	5/22/2023		
Checked by:			
MFG			
APPROVED		TITLE	
Unless specified dimensions are in inches and Tolerances are: .XX= .03 .XXX= .010 Angles= 1/2°		MILAN FIXTURE	
SIZE	DWG NO	REV	
B	Milan	A	
SCALE	MAT'L	SHEET 1 OF 1	