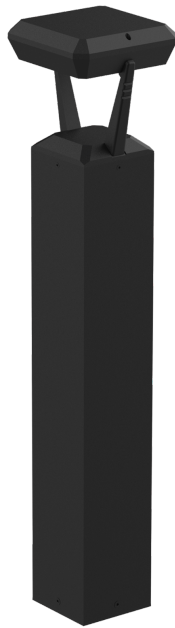




ZUMALIGHTING
QUALITY OUTDOOR SOLUTIONS



MODEL
STEALTH

TYPE
LED

SERIES
BOLLARDS

ZUMA LIGHTING LLC
325 N LARCHMONT BLVD STE 406, LOS ANGELES, CA 90004
INFO@ZUMALIGHTING.COM • (310) 975-3126 • ZUMALIGHTING.COM

ORDERING INFORMATION

Model STEALTH
Type LED
Series BOLLARDS



FIXTURE	HEIGHT	SOURCE	VOLTS	CCT	Optics	COLOR	OPTIONS
STH-B = Stealth Bollard	36 = 36"	7W = 1500 lm	U = 120v- 277v	27K = 2700K	T3 = 180°	DB = Dark Bronze BK = Black WH = White SL = Silver CC = Custom	D = Dimming SP = Surge Protection
	42 = 42"	16W = 2390 lm		3K = 3000K	T5 = 360°		
	CH = Custom Height	23W = 3300 lm	8 = 480v	4K = 4000K			
		33W = 4500 lm		5K = 5000K			

SPECIFICATIONS

Housing

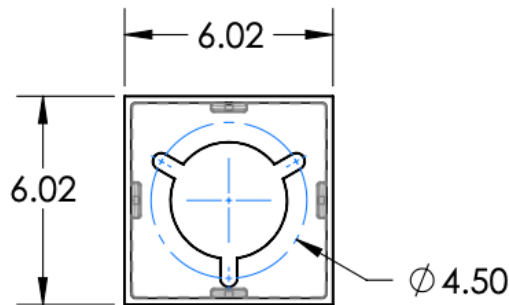
The fixture housing is fabricated from a combination of extruded, cast and formed aluminum alloys.

LED

High performance LEDs utilize state-of-the-art technologies for improved thermal performance. Efficacy ranging from 120 – 150 lm/W. Available in Types III & V with wide choice of color temperatures ranging from CCT(2700K – 5000K). These LEDs are designed to fit LEDIL lenses with IP67 rating.

Mounting

Heavy duty aluminum base plate secures to the housing. Mounting kit with (3) anchor bolts, included.



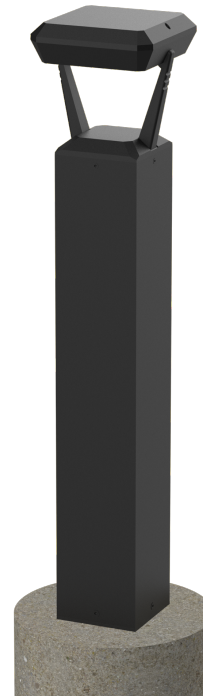
**6"SQ.BASE PLATE
(3x) 3/8 ANCHOR BOLT**

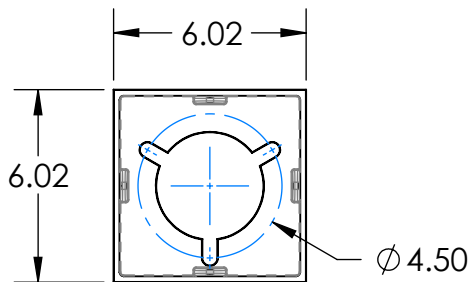
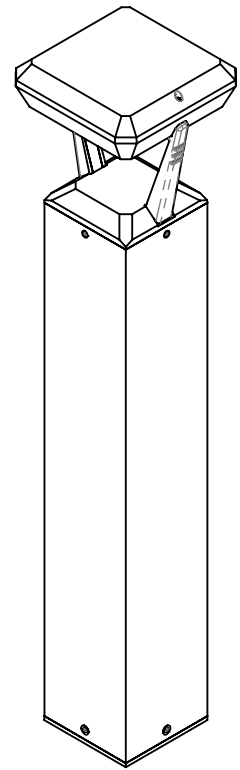
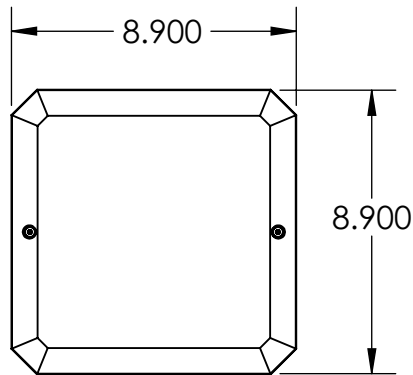
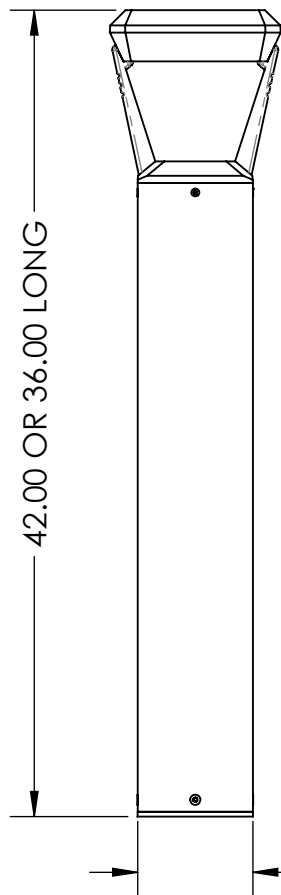
Finish

Thermoset polyester oven-baked powder coat, in any standard color. Custom colors are available to your specification.

Warranty


5-year warranty





P/N: STH-42
MAX WATTAGE: 40W
LUMENS: 5700lms

6"SQ.BASE PLATE
(3x) 3/8 ANCHOR BOLT

UNLESS OTHERWISE SPECIFIED:		NAME	DATE		
DIMENSIONS ARE IN INCHES	DRAWN				
TOLERANCES:	CHECKED				
ANGULAR: MACH ± 1° BEND ± 1°	ENG APPR.				
DIMENSIONS:	PLANNING				
.XX ± .03	Q.A.			SIZE DWG. NO. REV A STH-42	
.XXX ± .010	PROPRIETARY AND CONFIDENTIAL THE INFORMATION CONTAINED IN THIS DRAWING IS THE SOLE PROPERTY OF Zuma Bollards. ANY REPRODUCTION IN PART OR AS A WHOLE WITHOUT THE WRITTEN PERMISSION OF Zuma Bollards. IS PROHIBITED.				
INTERPRET GEOMETRIC TOLERANCING PER:			SCALE: NTS WEIGHT: SHEET 1 OF 1		
MATERIAL					
FINISH					
DO NOT SCALE DRAWING					