



ZUMALIGHTING
QUALITY OUTDOOR SOLUTIONS



MODEL
STEALTH WALL

TYPE
LED

SERIES
WALL MOUNT

ZUMA LIGHTING LLC
325 N LARCHMONT BLVD STE 406, LOS ANGELES, CA 90004
INFO@ZUMALIGHTING.COM • (310) 975-3126 • ZUMALIGHTING.COM

ORDERING INFORMATION

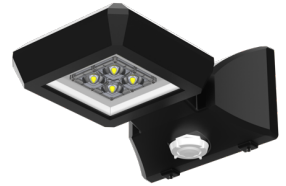
Model STEALTH

Type LED

Series WALL MOUNT



STH-WM



STH-DWM

FIXTURE	SOURCE	VOLTS	CCT	Optics	COLOR	OPTIONS
STH-WM = Stealth Architectural Wall Mount	7W = 1080 lm 15W = 2080 lm	U = 120v-277v 8 = 480v	27K = 2700K 3K = 3000K 4K = 4000K 5K = 5000K	T2 T3 T4 T5	DB = Dark Bronze BK = Black WH = White SL = Silver CC = Custom	D = Dimming SP = Surge Protection M = Motion Sensor
STH-DWM = Stealth Direct Wall Mount	30W = 4100 lm 45W = 6200 lm					

SPECIFICATIONS

Housing

The fixture housing is fabricated from a combination of extruded, cast and formed aluminum alloys.

LED

High performance LEDs utilize state-of-the-art technologies for improved thermal performance. Efficacy ranging from 120 – 150 lm/W. Available in Types II, III, IV & V with wide choice of color temperatures ranging from CCT(2700K – 5000K). These LEDs are designed to fit LEDIL lenses with IP67 rating.

Finish

Thermoset polyester oven-baked powder coat, in any standard color. Custom colors are available to your specification.

Mounting

Mounting / wireway hole in center of backplate. Supplied with stainless steel hardware to mount to a 4" J-box.

Warranty

5-year warranty

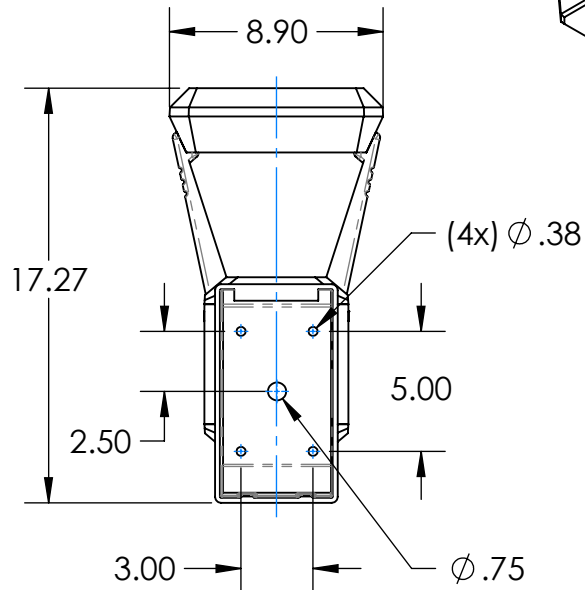
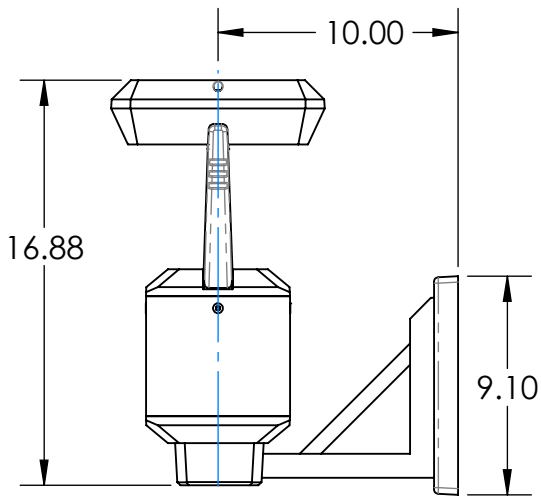
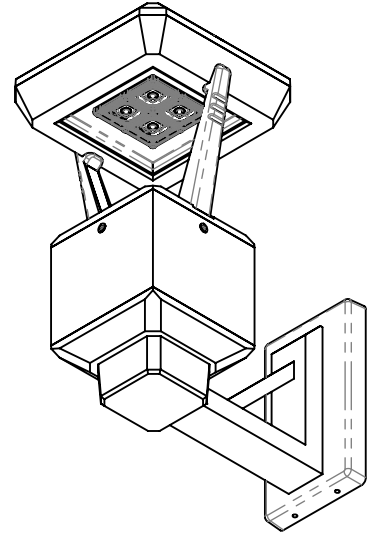
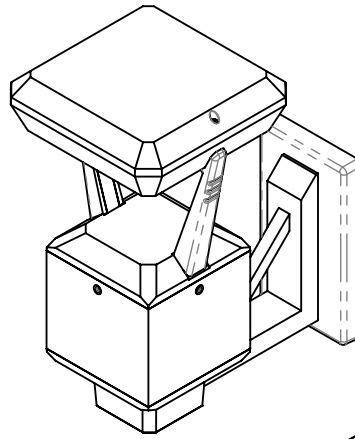
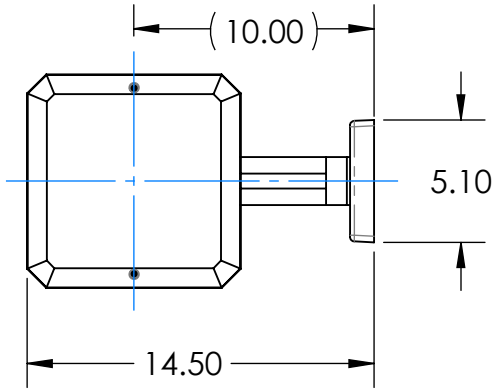


STH-WM




STH-DWM

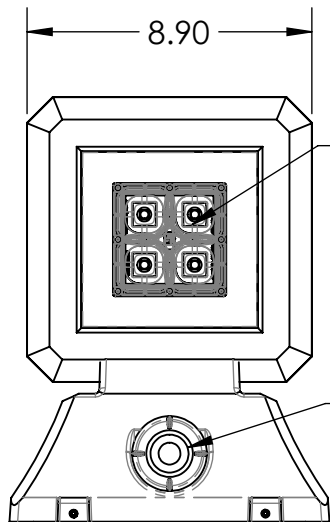
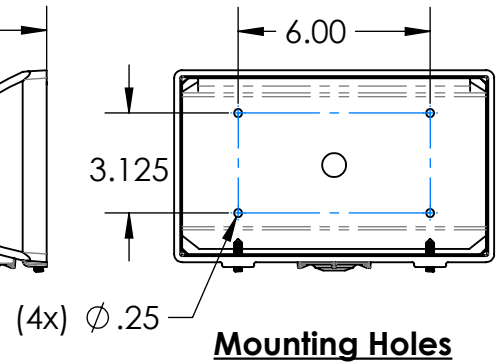
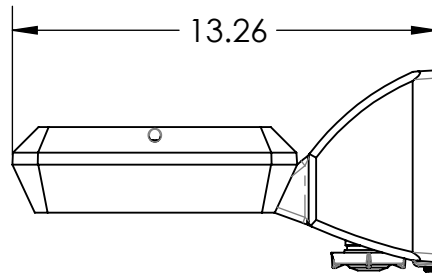
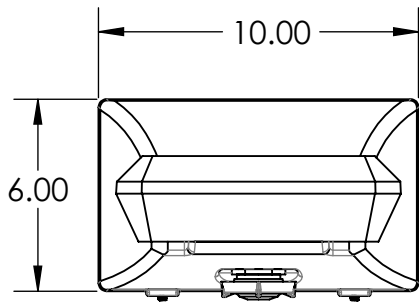
REVISIONS			
REV.	DESCRIPTION	DATE	APPROVED



Mounting Holes

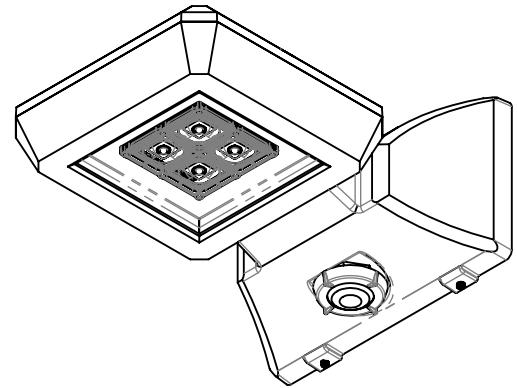
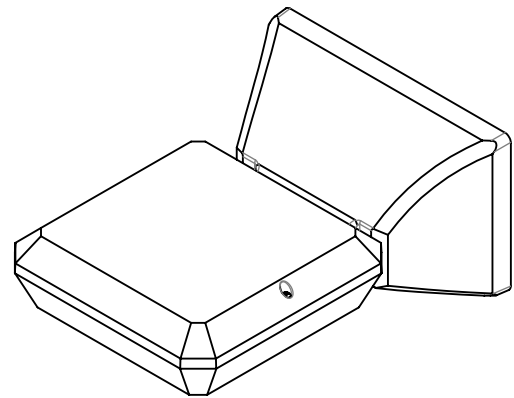
UNLESS OTHERWISE SPECIFIED:	NAME	DATE			
DIMENSIONS ARE IN INCHES TOLERANCES: ANGULAR: MACH ± 1° BEND ± 1° DIMENSIONS: .XX ± .03 .XXX ± .010	DRAWN				TITLE:
INTERPRET GEOMETRIC TOLERANCING PER:	CHECKED		<p>Stealth Wall Mount (STH-WM)</p>		
MATERIAL	ENG APPR.				
FINISH	PLANNING		SIZE	DWG. NO.	REV
DO NOT SCALE DRAWING	Q.A.		A	STH-WM	
<p>PROPRIETARY AND CONFIDENTIAL</p> <p>THE INFORMATION CONTAINED IN THIS DRAWING IS THE SOLE PROPERTY OF ZUMA LIGHTING. ANY REPRODUCTION IN PART OR AS A WHOLE WITHOUT THE WRITTEN PERMISSION OF ZUMA LIGHTING, IS PROHIBITED.</p>			SCALE: NTS	WEIGHT:	SHEET 1 OF 1


REVISIONS			
REV.	DESCRIPTION	DATE	APPROVED



Optical System
T5, T4 or T3

Motion Sensor
(Optional)



UNLESS OTHERWISE SPECIFIED:		NAME	DATE	 ZUMALIGHTING QUALITY OUTDOOR SOLUTIONS		
DIMENSIONS ARE IN INCHES	DRAWN					TITLE:
TOLERANCES:	CHECKED			Stealth Direct Wall Mount (STH-DWM)		
ANGULAR: MACH ± 1° BEND ± 1°	ENG APPR.					
DIMENSIONS:	PLANNING					
.XX ± .03	Q.A.			SIZE	DWG. NO.	REV
.XXX ± .010	PROPRIETARY AND CONFIDENTIAL THE INFORMATION CONTAINED IN THIS DRAWING IS THE SOLE PROPERTY OF ZUMA LIGHTING . ANY REPRODUCTION IN PART OR AS A WHOLE WITHOUT THE WRITTEN PERMISSION OF ZUMA LIGHTING , IS PROHIBITED.			A	Stealth DWM	
INTERPRET GEOMETRIC TOLERANCING PER:				SCALE: NTS	WEIGHT:	SHEET 1 OF 1
MATERIAL						
FINISH						
DO NOT SCALE DRAWING						